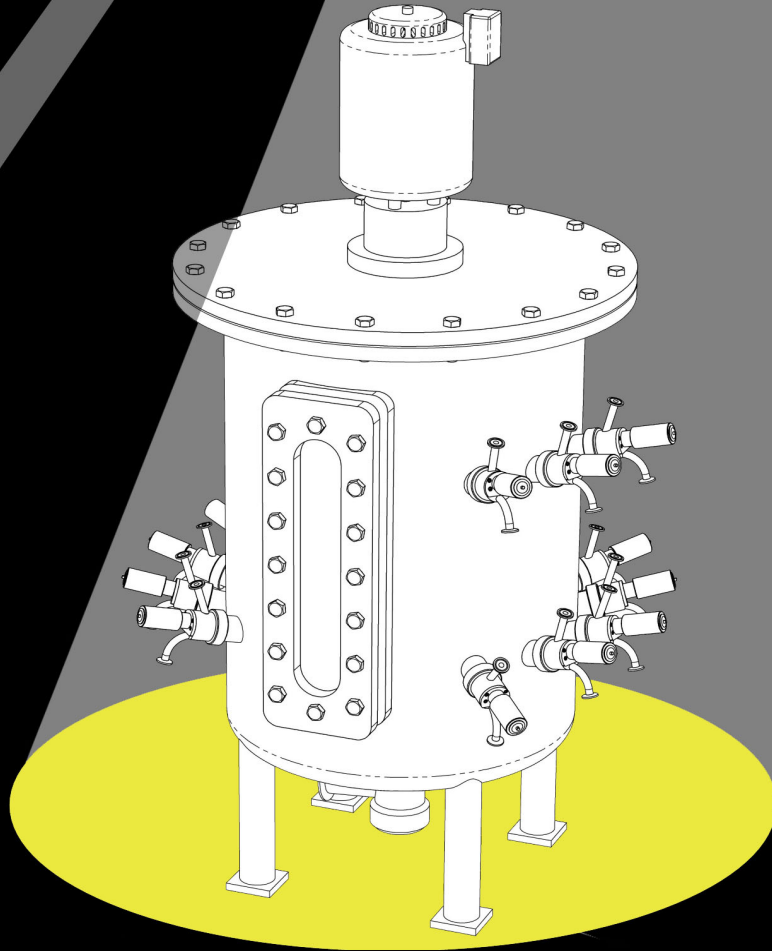
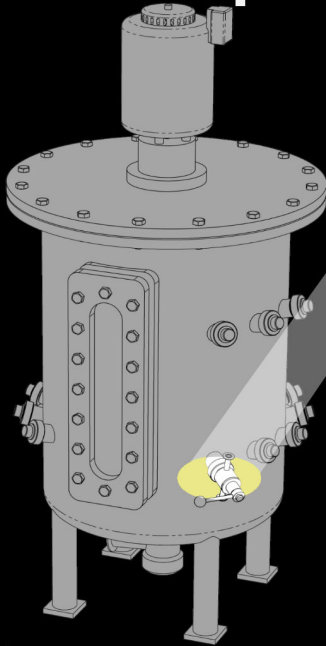
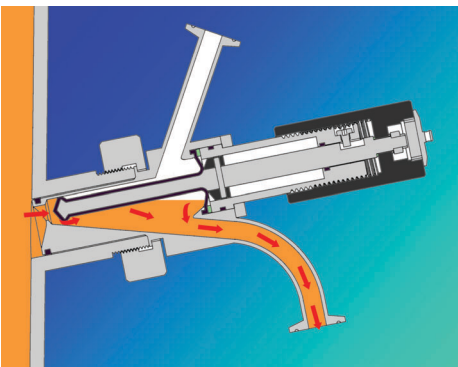


Other sampling valves can only show what's happening at one spot in your tank...



Only the Pharmenta AptiPort® sampling valve can show what's happening at any spot in your tank.

Now you can sample from practically any port in your tank, including existing sensor ports (pH, DO, etc.) No need to specify a dedicated sampling port. Sample from several locations on your vessel or change your sampling site to meet changing process needs. Plus the Pharmenta AptiPort® sampling valve can be retrofitted to vessels made up to 50 years ago. To learn more, call (888) 765-7838, or visit www.pharmenta.com.



 **Pharmenta**®
From NL Technologies, Ltd.

P.O. Box 7788, Princeton, NJ 08543-7788, U.S.A.
Phone: (888) 765-7838 or (609) 750-1251 Fax: (609) 716-9113
Email: sales@pharmenta.com Website: www.pharmenta.com